

Project Name		Customer Name	
Quote Number		Date	
Customization			

Standard Features

Type	One-piece bathtub with above floor plumbing
Color	White
Exterior Dimensions	60"W x 32"D x 19-1/4"H
Materials	Gel coat and fiberglass composite
Approximate Weight	75 lbs

Certifications and Accessibility Code Compliance



Universal Plumbing Code



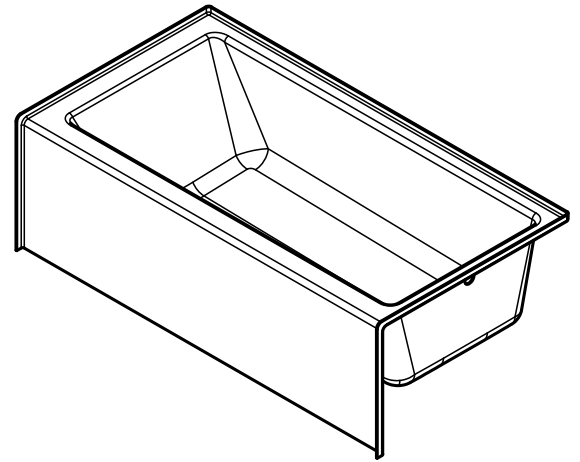
CSA B45.5-11 / IAPMO Z124-2017



ADA

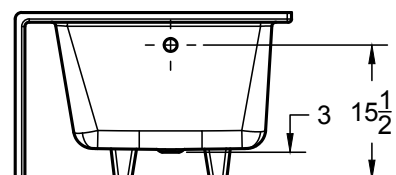
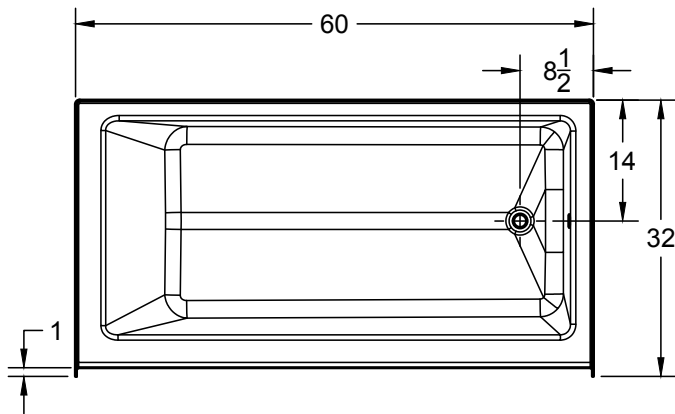
ANSI

ICC A117.1 - 2017 ANSI Type A



Warranty

30 Year Limited



Reinforcing Bottom Plate

Due to the nature of the material, all measurements may vary by $\pm 3/8"$.
Dimensions needed for site preparation should be measured from the unit.

Architectural Specifications

A. Bathtub:

1. Model: No. T6032A0-L/R
2. Description: One-piece bath tub with reinforcing bottom plate, above floor plumbing, and slip-resistant floor. Skirt height allows for field installation of ADA compliant seat
3. Exterior dimensions: 60 inches wide x 32 inches deep x 19-1/4 inches high
4. Optional Accessories: Furnish with [curtain rod], [shower curtain], [recessed soap dish], [shower slide-bar kit], [EverFab tub-wrap], [shower drain]

Drain Placement (indicated by '-L' or '-R' following model number)*

- Left Hand Right Hand

**Drain placement is determined as if outside the unit looking in. For clarity, a right hand model is shown in all drawings*

Optional Accessories†

- | | |
|---|---------------------------------------|
| <input type="checkbox"/> Curtain Rod | <input type="checkbox"/> Tub Drain |
| <input type="checkbox"/> Shower Curtain | <input type="checkbox"/> 18" grab bar |
| <input type="checkbox"/> Shower Slide-Bar Kit | <input type="checkbox"/> 24" grab bar |
| <input type="checkbox"/> EverFab Tub-Wrap | <input type="checkbox"/> Folding seat |

Accessory Style

- Flanged
- Elite Series
- Anti-ligature
- Custom, please specify:

Accessory Finish

- Satin Stainless (Standard)
- Matte Black
- Polished Stainless
- White
- Custom, please specify:

†If applicable, please select accessory style and finish from options above. If custom, please also indicate desired location(s) on drawing.