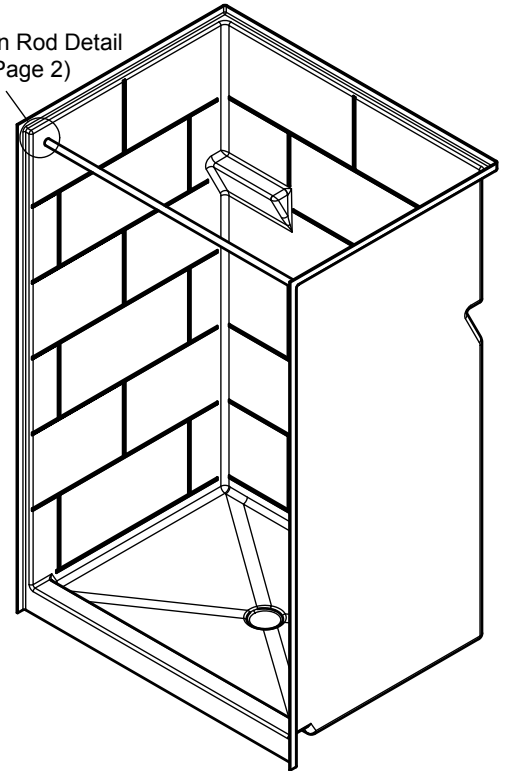


Project Name		Customer Name	
Quote Number		Date	
Customization			

Standard Features

Type	One-piece cuRFBed shower with simulated 12" x 24" tile design and molded shelves
Color	White
Exterior Dimensions	50-3/4"W x 38-5/8"D x 78-1/2"H
Materials	Gel coat and fiberglass composite
Approximate Weight	135 lbs

Curtain Rod Detail
(See Page 2)



Certifications and Accessibility Code Compliance



Universal Plumbing Code



CSA B45.5-11 / IAPMO Z124-2017



HUD / FHA

ANSI

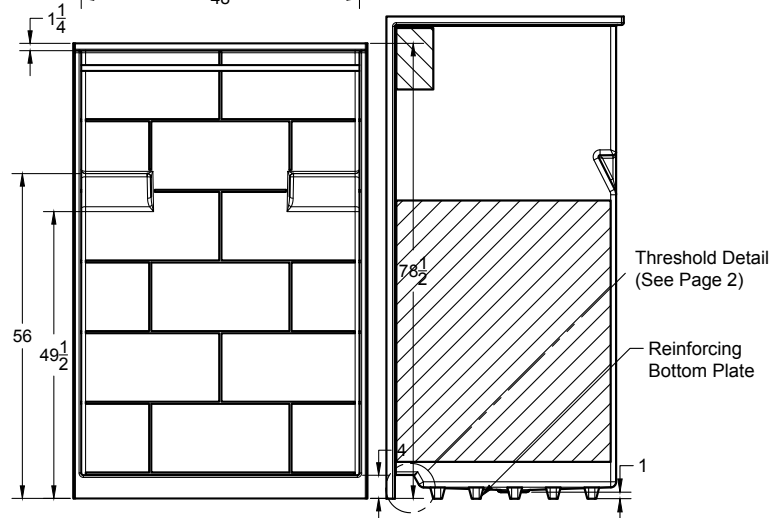
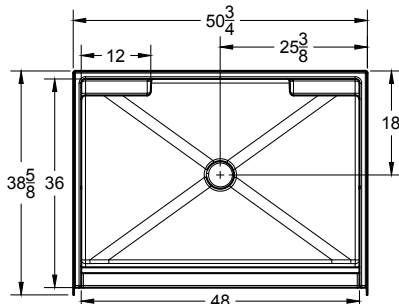
ICC A117.1 - 2017
ANSI Type B

Warranty

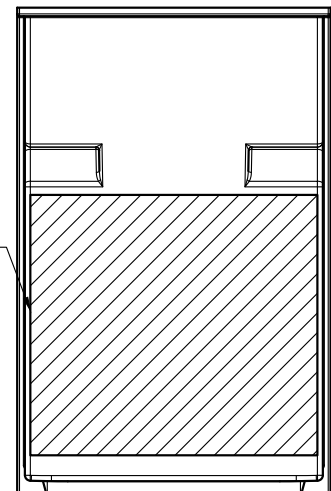
30 Year Limited

Reinforcement

Reinforced with EverFab's unique composite core material according to FHA and ANSI Type B Unit requirements

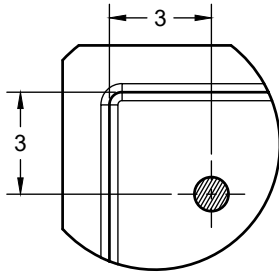


Fully reinforced with EverFab Core Material for factory or field installation of grab bars and seat

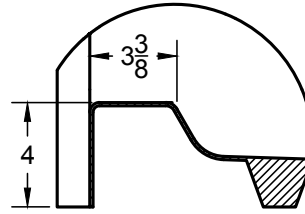


Due to the nature of the material, all measurements may vary by $\pm 3/8"$.
Dimensions needed for site preparation should be measured from the unit.

Additional Details



Standard Curtain Rod Location



Threshold

Architectural Specifications

A. Shower Stall:

1. Model: No. SS5139TB
2. Description: One-piece shower stall with reinforcing bottom plate, slip-resistant floor, 12 inch x 24 inch simulated tile, molded soap ledges, and inorganic composite reinforcement capable of meeting FHA and ANSI Type B Unit accessibility requirements
3. Exterior dimensions: 50-3/4 inches wide x 38-5/8 inches deep x 78-1/2 inches high
4. Rough-in: +1/8" -0" nominal dimensions
5. Optional Accessories: Furnish with [curtain rod], [shower curtain], [recessed soap dish], [composite corner shelf], [shower slide-bar kit], [EverFab tub-wrap], [shower drain], [18" grab bar], [24" grab bar], [folding seat]. If applicable, please indicate location of additional accessories on drawing
6. Accessory Style: [No Accessories], [Standard Thru-Bolted], [Flanged], [Elite Series], [Anti-Ligature], [Custom]
7. Accessory Finish: [No Accessories], [Standard Satin Stainless], [Matte Black], [Polished Stainless] [White], [Custom]

Optional Accessories†

<input type="checkbox"/> Curtain Rod	<input type="checkbox"/> Shower Drain
<input type="checkbox"/> Shower Curtain	<input type="checkbox"/> 18" grab bar
<input type="checkbox"/> Recessed Soap Dish	<input type="checkbox"/> 24" grab bar
<input type="checkbox"/> Composite Corner Shelf	<input type="checkbox"/> Folding seat
<input type="checkbox"/> Shower Slide-Bar Kit	
<input type="checkbox"/> EverFab Tub-Wrap	

Accessory Style

- Thu-bolted (Standard)
- Flanged
- Elite Series
- Anti-ligature
- Custom, please specify:

Accessory Finish

- Satin Stainless (Standard)
- Matte Black
- Polished Stainless
- White
- Custom, please specify:

†If applicable, please select accessory style and finish from options above. If custom, please also indicate desired location(s) on drawing.