

Project Name		Customer Name	
Quote Number		Date	
Customization			

### Standard Features

Type	One-piece roll-in type shower pan.
Color	White
Exterior Dimensions	63"W x 32-1/2"D x 6"H
Materials	Gel coat and fiberglass composite
Approximate Weight	60 lbs

### Certifications and Accessibility Code Compliance



Universal Plumbing Code



CSA B45.5-11 / IAPMO Z124-2017



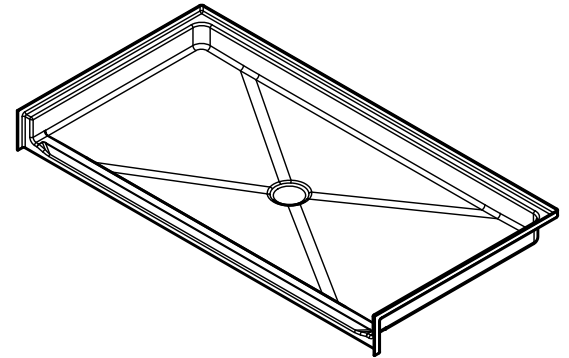
ADA

ANSI

ICC A117.1 - 2017 ANSI Type A

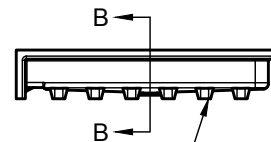
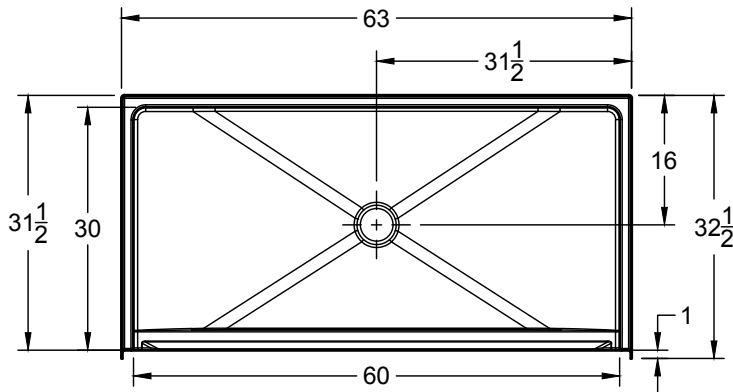


California Title 24



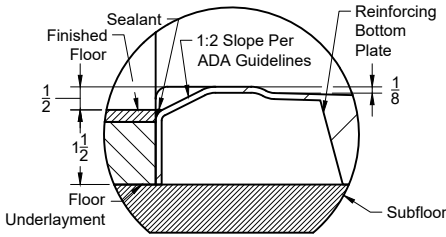
### Warranty

30 Year Limited

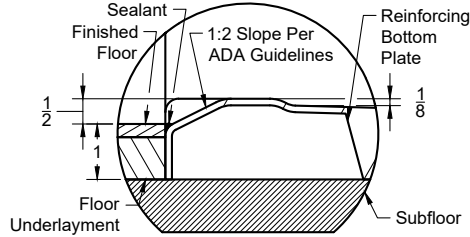


Reinforcing Bottom Plate

## Standard Threshold Details (Section A-A)

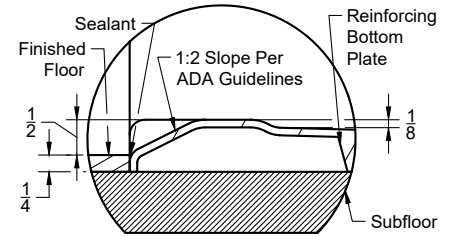


**Standard**



**Low-Profile**

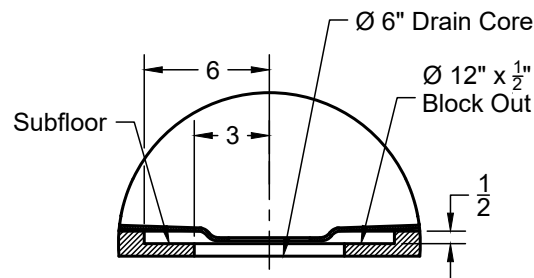
*Model number followed with 'LP'*



**No-Recess**

*Model number followed with 'NR'*

## Drain Block-Out Detail (Section B-B)



**Drain Block-Out**

## Architectural Specifications

### A. Shower Stall:

1. Model: No. SP6332A
2. Description: One-piece roll-in type shower pan
3. Exterior dimensions: 63 inches wide x 31-1/2 inches deep x 6 inches high
4. Rough-in: +1/8" -0" nominal dimensions
5. Threshold: [Standard] [Low Profile] [No-Recess], [Custom] Threshold Detail
6. Optional Accessories: Furnish with [EverFab tub-wrap], [shower drain], [18" field-installed grab bar], [24" field-installed grab bar], [folding seat], [T-shaped EverDam]. If applicable, please indicate location of additional accessories on drawing
7. Accessory Style: [A0 - No Accessories], [Flanged]
8. Accessory Finish: [A0 - No Accessories], [Standard Satin Stainless], [Matte Black], [Polished Stainless] [White], [Custom]

### Standard Threshold

Model Number	Drain Block Out Required	Accessibility Code Compliance
<input type="checkbox"/> SP6332A0	No	Adaptable**

### Low Profile Threshold

Model Number	Drain Block Out Required	Accessibility Code Compliance
<input type="checkbox"/> SP6332A0LP	Yes	Adaptable**

### No-Recess Threshold

Model Number	Drain Block Out Required	Accessibility Code Compliance
<input type="checkbox"/> SP6332A0NR	Yes	Adaptable**

*\*\*Shower floor is reinforced and capable of meeting accessibility code requirements with proper field-installation of grab bars and seat*

### Optional Accessories†

<input type="checkbox"/> Shower Drain		
<input type="checkbox"/> 18" grab bar		
<input type="checkbox"/> 24" grab bar		
<input type="checkbox"/> T-shaped EverDam		
<input type="checkbox"/> EverFab Tub-Wrap		

Accessory Style	Accessory Finish
<input type="checkbox"/> Flanged	<input type="checkbox"/> Satin Stainless (Standard)
<input type="checkbox"/> Elite Series	<input type="checkbox"/> Matte Black
<input type="checkbox"/> Anti-ligature	<input type="checkbox"/> Polished Stainless
<input type="checkbox"/> Custom, please specify:	<input type="checkbox"/> White
	<input type="checkbox"/> Custom, please specify:

*†If applicable, please select accessory style and finish from options above. If custom, please also indicate desired location(s) on drawing.*