

Project Name		Customer Name	
Quote Number		Date	
Customization			

Standard Features

Type	One-piece roll-in type shower pan.
Color	White
Exterior Dimensions	44-3/4"W x 51"D x 6"H
Materials	Gel coat and fiberglass composite
Approximate Weight	60 lbs

Certifications and Accessibility Code Compliance



Universal
Plumbing
Code



CSA B45.5-11 / IAPMO
Z124-2017



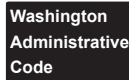
ADA

ANSI

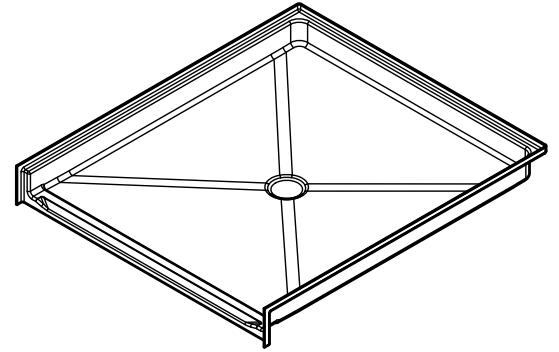
ICC A117.1
- 2017 ANSI
Type A



California
Title 24

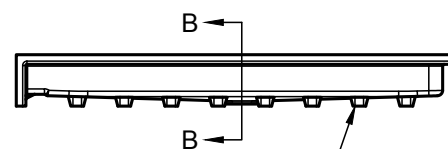
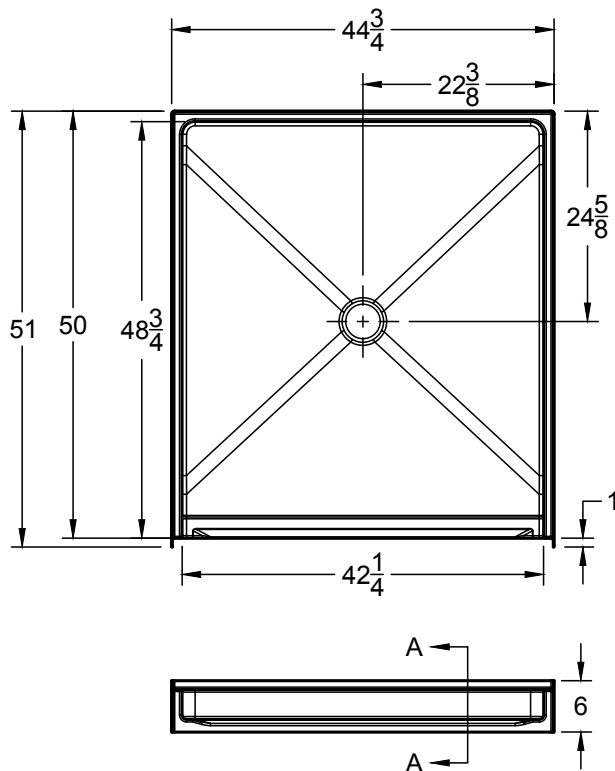


Washington
Administrative
Code
WAC 388-
78A-3030

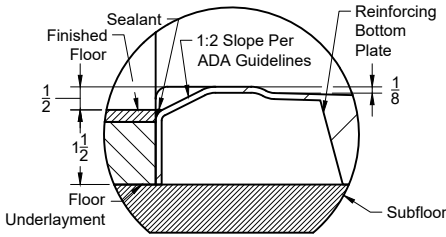


Warranty

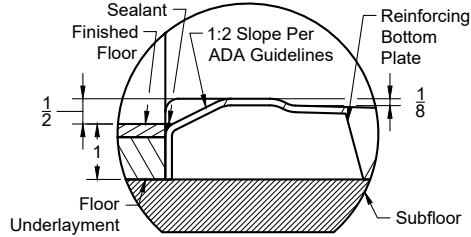
30 Year Limited



Standard Threshold Details (Section A-A)

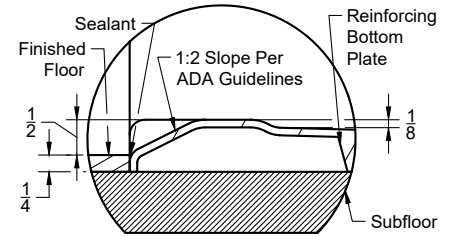


Standard



Low-Profile

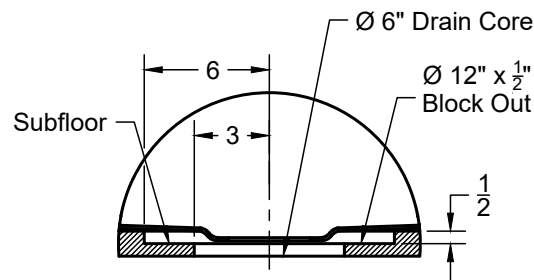
Model number followed with 'LP'



No-Recess

Model number followed with 'NR'

Drain Block-Out Detail (Section B-B)



Drain Block-Out

Architectural Specifications

A. Shower Stall:

1. Model: No. SP4551A
2. Description: One-piece roll-in type shower pan
3. Exterior dimensions: 44-3/4 inches wide x 51 inches deep x 6 inches high
4. Rough-in: +1/8" -0" nominal dimensions
5. Threshold: [Standard] [Low Profile] [No-Recess], [Custom] Threshold Detail
6. Optional Accessories: Furnish with [EverFab tub-wrap], [shower drain], [18" field-installed grab bar], [24" field-installed grab bar], [folding seat], [T-shaped EverDam]. If applicable, please indicate location of additional accessories on drawing
7. Accessory Style: [A0 - No Accessories], [Flanged]
8. Accessory Finish: [A0 - No Accessories], [Standard Satin Stainless], [Matte Black], [Polished Stainless] [White], [Custom]

Standard Threshold

Model Number	Drain Block Out Required	Accessibility Code Compliance
<input type="checkbox"/> SP4551A0	No	Adaptable**

Low Profile Threshold

Model Number	Drain Block Out Required	Accessibility Code Compliance
<input type="checkbox"/> SP4551A0LP	Yes	Adaptable**

No-Recess Threshold

Model Number	Drain Block Out Required	Accessibility Code Compliance
<input type="checkbox"/> SP4551A0NR	Yes	Adaptable**

***Shower floor is reinforced and capable of meeting accessibility code requirements with proper field-installation of grab bars and seat*

Optional Accessories†

<input type="checkbox"/> Shower Drain		
<input type="checkbox"/> 18" grab bar		
<input type="checkbox"/> 24" grab bar		
<input type="checkbox"/> T-shaped EverDam		
<input type="checkbox"/> EverFab Tub-Wrap		

Accessory Style

<input type="checkbox"/> Flanged	<input type="checkbox"/> Satin Stainless (Standard)
<input type="checkbox"/> Elite Series	<input type="checkbox"/> Matte Black
<input type="checkbox"/> Anti-ligature	<input type="checkbox"/> Polished Stainless
<input type="checkbox"/> Custom, please specify:	<input type="checkbox"/> White
	<input type="checkbox"/> Custom, please specify:

†If applicable, please select accessory style and finish from options above. If custom, please also indicate desired location(s) on drawing.