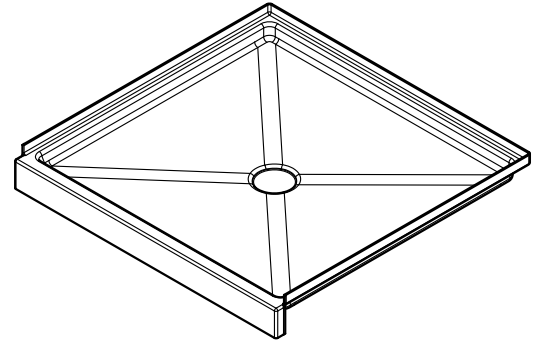


Project Name		Customer Name	
Quote Number		Date	
Customization			

Standard Features

Type	Transfer type shower pan with return flange
Color	White
Exterior Dimensions	39-1/2"W x 37-1/4"D x 5"H
Materials	Gel coat and fiberglass composite
Approximate Weight	35 lbs



Certifications and Accessibility Code Compliance



Universal Plumbing Code



CSA B45.5-11 / IAPMO Z124-2017



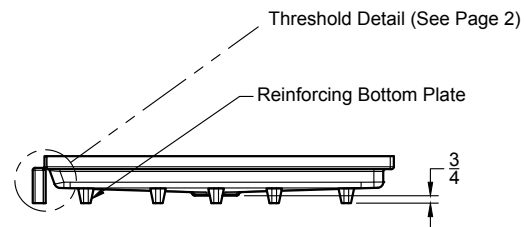
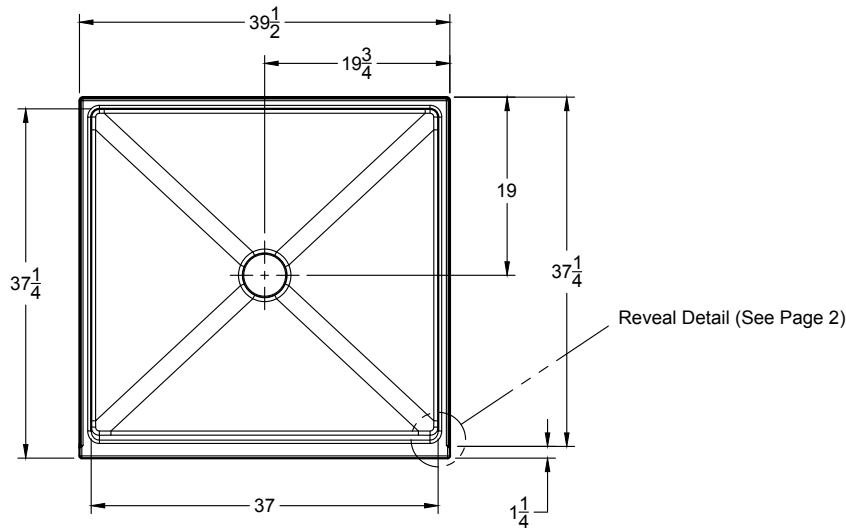
HUD / FHA

ANSI

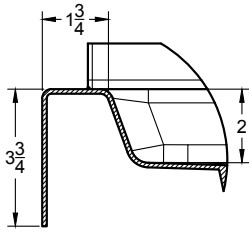
ICC A117.1 - 2017
ANSI Type B

Warranty

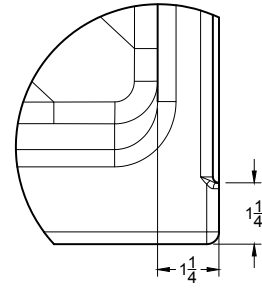
30 Year Limited



Threshold Details



Standard Threshold



Reveal Detail

Reveal allows for a parallel or perpendicular drywall finish

Architectural Specifications

A. Shower Stall:

1. Model: No. SP3937RFB
2. Description: ANSI B compliant transfer shower base with reinforcing bottom plate, slip-resistant floor, and unique reveal that allows for a parallel or perpendicular drywall finish
3. Exterior dimensions: 39-1/2 inches wide x 37-1/4 inches deep x 5 inches high
4. Rough-in: +1/8" -0" nominal dimensions
5. Optional Accessories: Furnish with [curtain rod], [shower curtain], [recessed soap dish], [shower slide-bar kit], [EverFab tub-wrap], [shower drain], [18" grab bar], [24" grab bar], [custom grab bar], [folding seat]. If applicable, please indicate location of additional accessories on drawing
6. Accessory Style: [No Accessories], [Flanged], [Custom]
7. Accessory Finish: [No Accessories], [Standard Satin Stainless], [Matte Black], [Polished Stainless] [White], [Custom]

Optional Accessories†

- | | |
|-------------------------------------------------|-----------------------------------------------------------|
| <input type="checkbox"/> Curtain Rod | <input type="checkbox"/> Shower Drain |
| <input type="checkbox"/> Shower Curtain | <input type="checkbox"/> 18" grab bar |
| <input type="checkbox"/> Recessed Soap Dish | <input type="checkbox"/> 24" grab bar |
| <input type="checkbox"/> Composite Corner Shelf | <input type="checkbox"/> Custom grab bar, please specify: |
| <input type="checkbox"/> Shower Slide-Bar Kit | |
| <input type="checkbox"/> EverFab Tub-Wrap | |

Accessory Style

- Flanged
- Elite Series
- Anti-ligature
- Custom, please specify:

Accessory Finish

- Satin Stainless (Standard)
- Matte Black
- Polished Stainless
- White
- Custom, please specify:

†If applicable, please select accessory style and finish from options above. If custom, please also indicate desired location(s) on drawing.