

Project Name		Customer Name	
Quote Number		Date	
Customization			

Standard Features

Description	One-piece curbed shower stall. Available in left or right hand configuration.
Color	White
Exterior Dimensions	48"W x 37-1/4"D x 79-1/4"H
Materials	Gel coat and fiberglass composite
Approximate Weight	120 lbs

Certifications and Accessibility Code Compliance



Universal
Plumbing Code



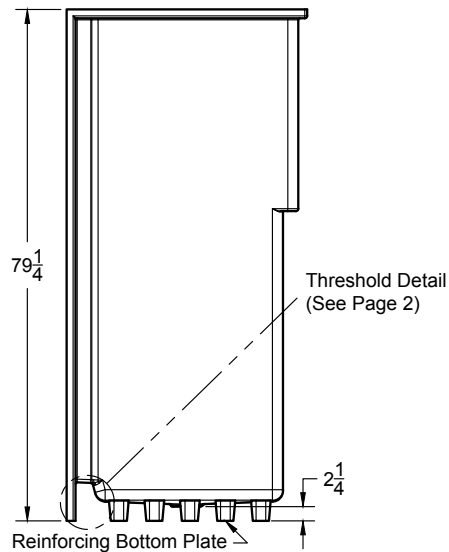
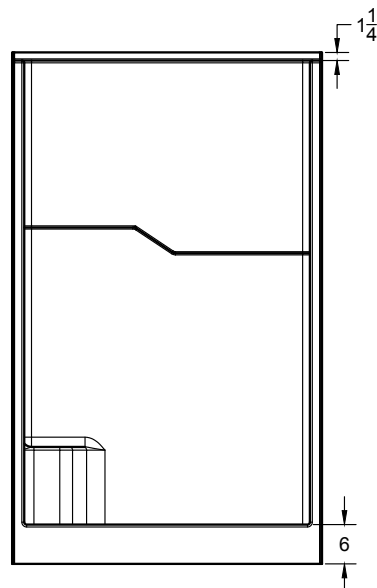
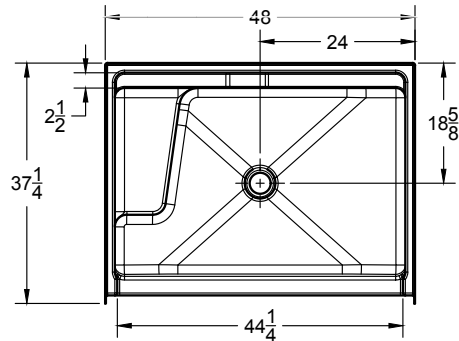
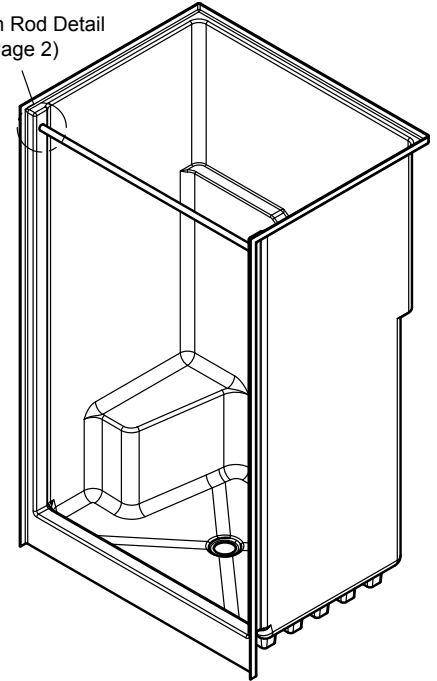
CSA B45.5-11 / IAPMO Z124-
2017



Warranty

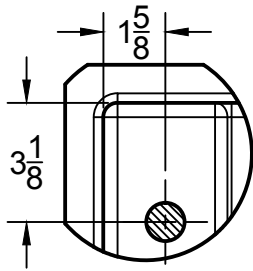
30 Year Limited

Curtain Rod Detail
(See Page 2)

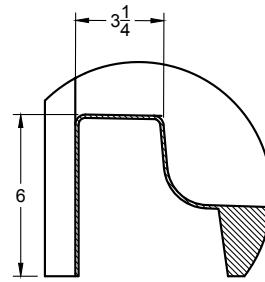


Due to the nature of the material, all measurements may vary by $\pm 3/8"$.
Dimensions needed for site preparation should be measured from the unit.

Additional Details



Standard Curtain Rod Location



Threshold

Architectural Specifications

A. Shower Stall:

1. Model: No. S4837
2. Description: One-piece shower stall with reinforcing bottom plate and slip-resistant floor
3. Exterior dimensions: 48 inches wide x 37-1/4 inches deep x 79-1/4 inches high
4. Rough-in: +1/8" -0" nominal dimensions
5. Optional Accessories: Furnish with [curtain rod], [shower curtain], [recessed soap dish], [composite corner shelf], [shower slide-bar kit], [EverFab tub-wrap], [shower drain], [18" grab bar], [24" grab bar]. If applicable, please indicate location of additional accessories on drawing
6. Accessory Style: [No Accessories], [Standard Thru-Bolted], [Flanged], [Elite Series], [Anti-Ligature], [Custom]
7. Accessory Finish: [No Accessories], [Standard Satin Stainless], [Matte Black], [Polished Stainless] [White], [Custom]

Seat Placement (indicated by '-L' or '-R' following model number)*

Left Hand

Right Hand

**Seat placement is determined as if outside the unit looking in*

Optional Accessories†

Curtain Rod

Shower Drain

Shower Curtain

18" grab bar

Recessed Soap Dish

24" grab bar

Composite Corner Shelf

Shower Slide-Bar Kit

EverFab Tub-Wrap

Accessory Style

Thu-bolted (Standard)

Flanged

Elite Series

Anti-ligature

Custom, please specify:

Accessory Finish

Satin Stainless (Standard)

Matte Black

Polished Stainless

White

Custom, please specify:

†If applicable, please select accessory style and finish from options above. If custom, please also indicate desired location(s) on drawing.