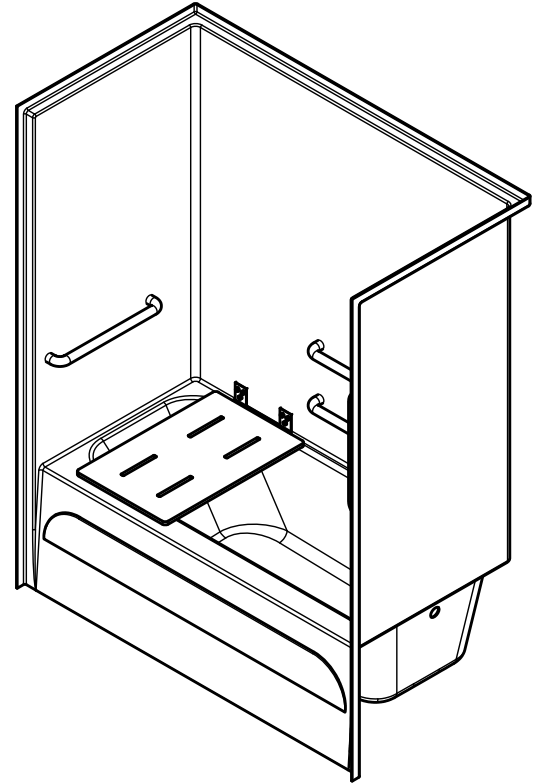


Project Name		Customer Name	
Quote Number		Date	
Customization			

Standard Features

Type	One-piece tub-shower stall with above floor plumbing. Available in left or right hand configuration.
Color	White
Exterior Dimensions	60"W x 32"D x 74-1/2"H
Materials	Gel coat and fiberglass composite
Approximate Weight	130 lbs



Certifications and Accessibility Code Compliance



Universal
Plumbing
Code



CSA B45.5-11 / IAPMO
Z124-2017



ADA



HUD / FHA



California
Title 24

ANSI

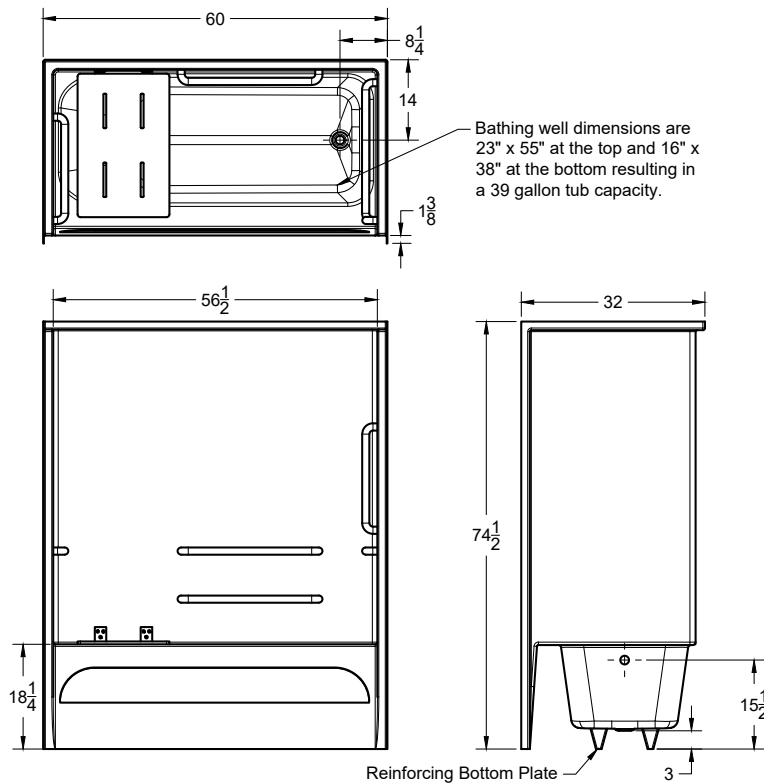
ICC A117.1
- 2017 ANSI
Type A

Warranty

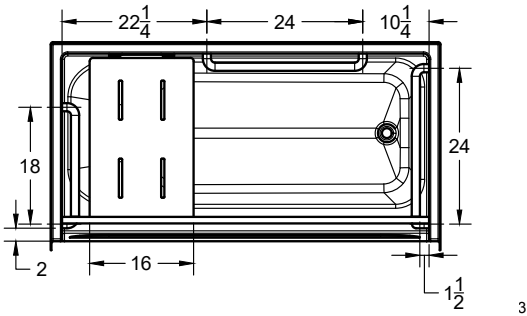
30 Year Limited

Reinforcement

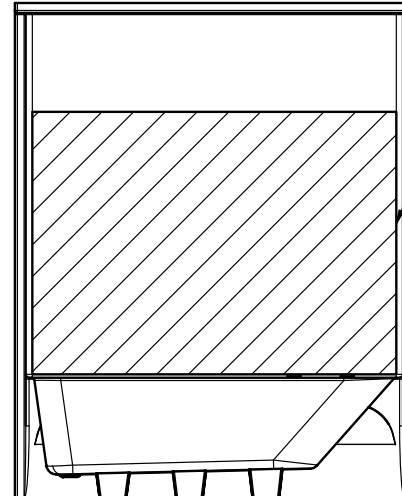
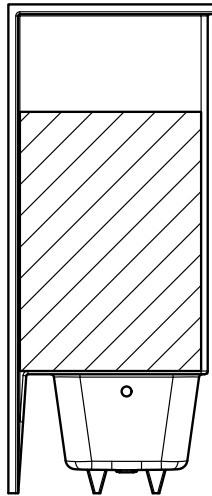
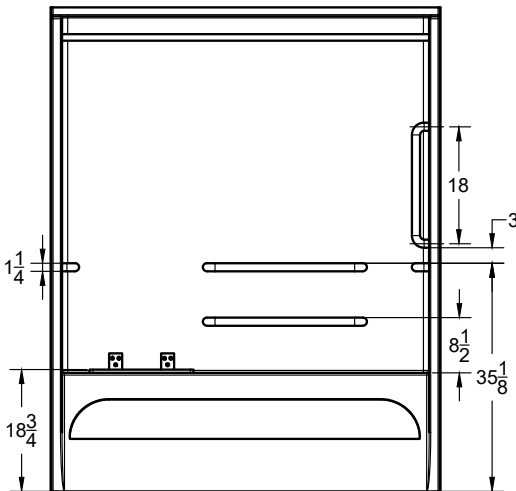
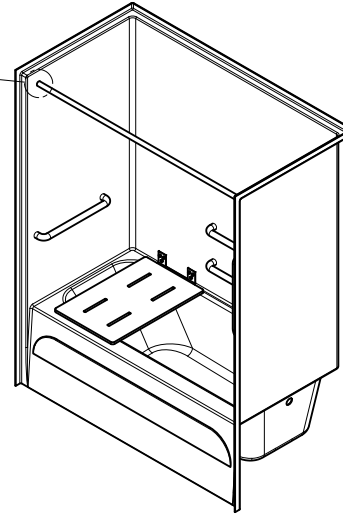
Fully reinforced with EverFab's unique composite core material which allows for factory or field installation of ADA compliant grab bars and seat



ADA Accessory Dimensions



Curtain Rod Detail
(See Submittal
Page 3)



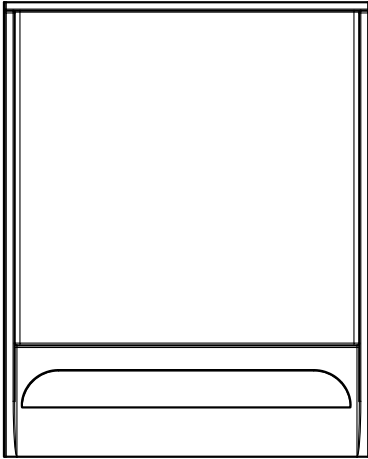
Reinforced with
EverFab core
material for factory
or field installation
of grab bars and
seat

Architectural Specifications

A. Shower Stall:

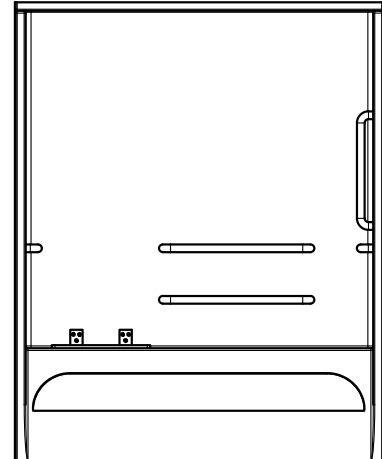
1. Model: No. TS6032A-L/R
2. Description: One-piece tub-shower stall with reinforcing bottom plate, slip-resistant floor, and inorganic composite reinforcement for placement of grab bars and seat
3. Exterior dimensions: 60 inches wide x 32 inches deep x 74-1/2 inches high
4. Rough-in: +1/8" -0" nominal dimensions
5. Optional Accessories: Furnish with [curtain rod], [shower curtain], [recessed soap dish], [composite corner shelf], [shower slide-bar kit], [EverFab tub-wrap], [shower drain], [18" grab bar], [24" grab bar], [folding seat]. If applicable, please indicate location of additional accessories on drawing
6. Accessory Style: [A0 - No Accessories], [Standard Thru-Bolted], [Flanged], [Elite Series], [Anti-Ligature], [Custom]
7. Accessory Finish: [A0 - No Accessories], [Standard Satin Stainless], [Matte Black], [Polished Stainless] [White], [Custom]

ADA Accessory Configurations (number following 'A' indicates configuration)



TS6032A0-R

No Accessories



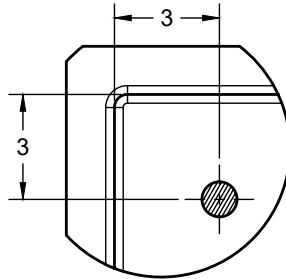
TS6032A1-R

[4] 18-24" horizontal grab bars

Seat

18" vertical grab bar

Additional Details



Standard Curtain Rod Location

Standard Threshold Models

Model Number	(3) Pre-Installed 18-24" Horizontal Grab Bars	Pre-Installed 18" Vertical Grab Bar	Pre-Installed Folding Seat	Accessibility Code Compliance
<input type="checkbox"/> TS6032A0	No	No	No	Adaptable**
<input type="checkbox"/> TS6032A1	Yes	Yes	Yes	ADA, HUD/FHA, ANSI, CA Title 24

***Model is reinforced and capable of meeting accessibility code requirements with proper field-installation of grab bars and seat*

Drain Placement (indicated by '-L' or '-R' following model number)*

Left Hand Right Hand

**Drain placement is determined as if outside the unit looking in. For clarity, a right hand model is shown in all drawings.*

Optional Accessories†

<input type="checkbox"/> Curtain Rod	<input type="checkbox"/> Shower Drain
<input type="checkbox"/> Shower Curtain	<input type="checkbox"/> 18" grab bar
<input type="checkbox"/> Recessed Soap Dish	<input type="checkbox"/> 24" grab bar
<input type="checkbox"/> Composite Corner Shelf	<input type="checkbox"/> Custom grab bar, please specify:
<input type="checkbox"/> Shower Slide-Bar Kit	<input type="checkbox"/> Folding seat
<input type="checkbox"/> EverFab Tub-Wrap	

Accessory Style

Thu-bolted (Standard)
 Flanged
 Elite Series
 Anti-ligature
 Custom, please specify:

Accessory Finish

Satin Stainless (Standard)
 Matte Black
 Polished Stainless
 White
 Custom, please specify:

†If applicable, please select accessory style and finish from options above. If custom, please also indicate desired location(s) on drawing.