

Project Name		Customer Name	
Quote Number		Date	
Customization			

Standard Features

Type	One-piece roll-in type shower stall with shelf. Available in left or right hand configuration.
Color	White
Exterior Dimensions	63"W x 38"D x 79-1/2"H
Materials	Gel coat and fiberglass composite
Approximate Weight	140 lbs

Certifications and Accessibility Code Compliance



Universal Plumbing Code



CSA B45.5-11 / IAPMO Z124-2017



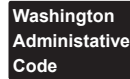
ADA

ANSI

ICC A117.1 - 2017 ANSI Type A



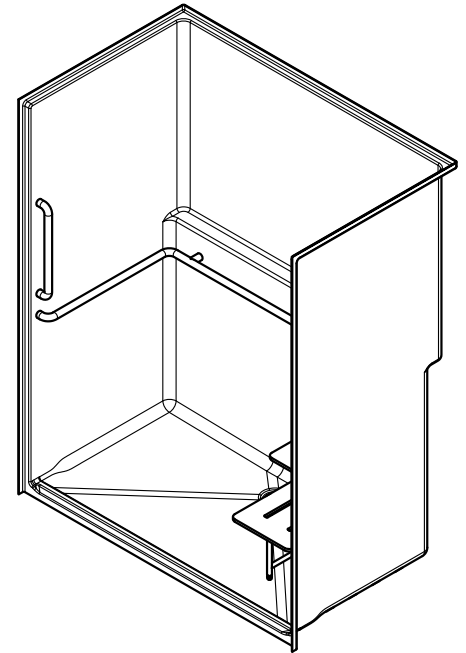
California Title 24



WAC 388-78A-3030



HUD / FHA

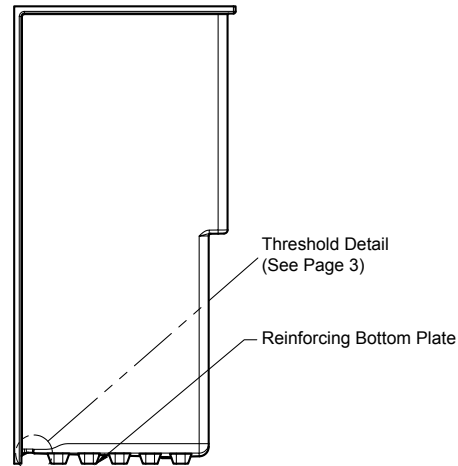
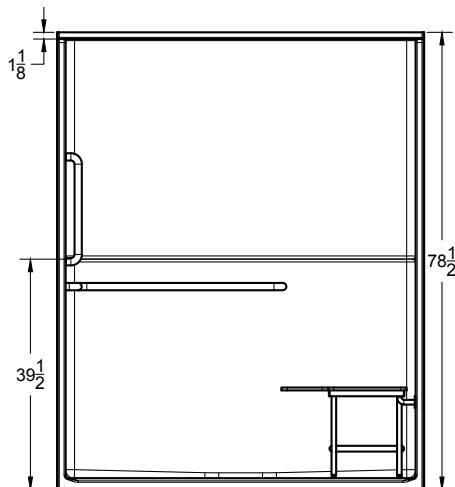
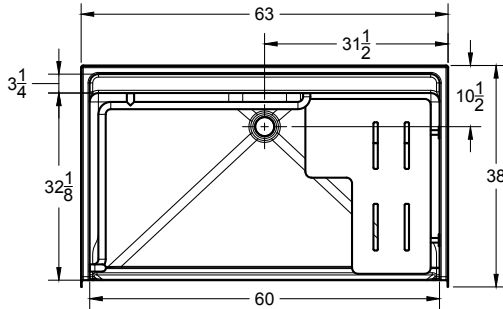


Warranty

30 Year Limited

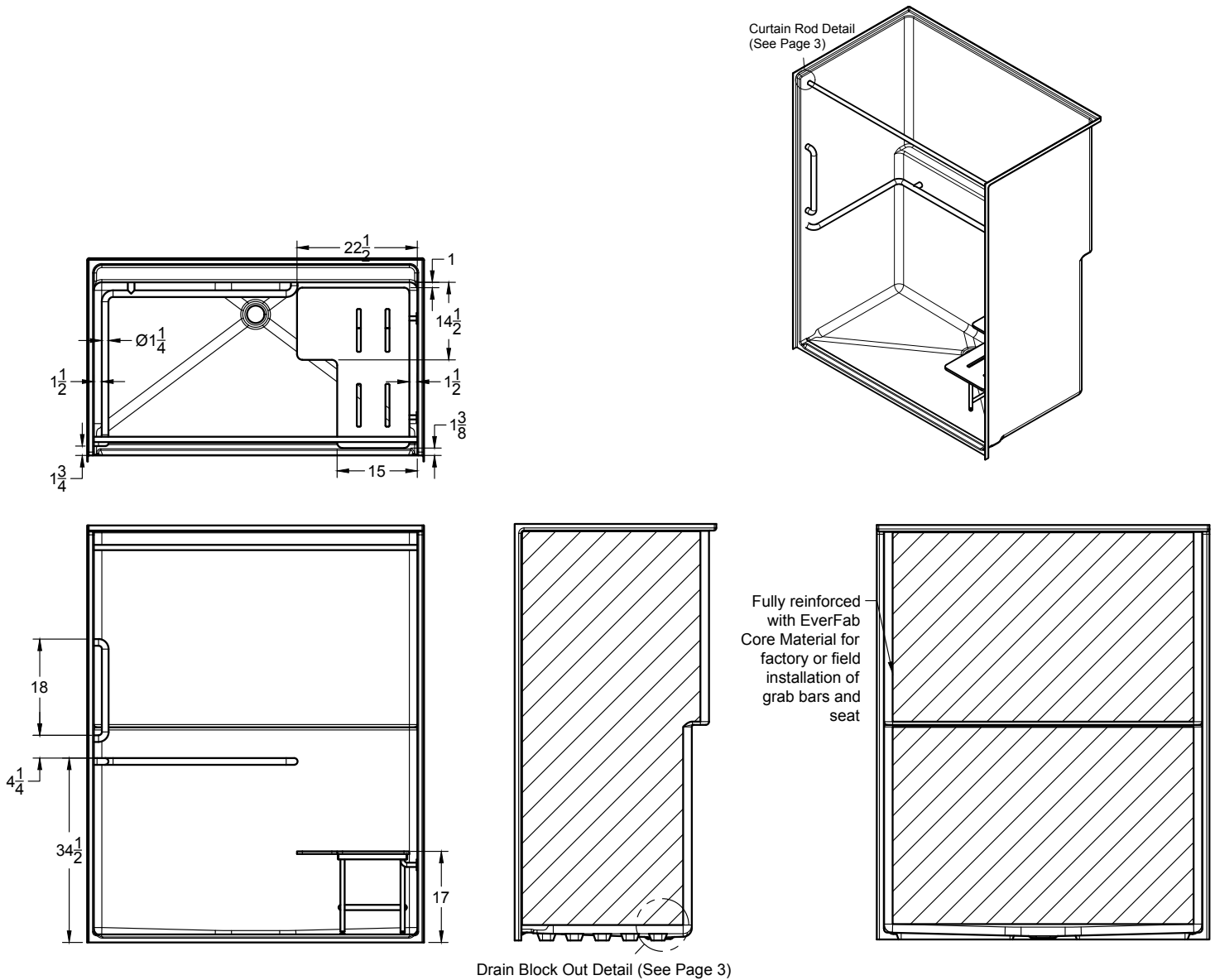
Reinforcement

Fully reinforced with EverFab's unique composite core material which allows for factory or field installation of ADA compliant grab bars and seat



Due to the nature of the material, all measurements may vary by $\pm 3/8"$.
Dimensions needed for site preparation should be measured from the unit.

ADA Accessory Dimensions

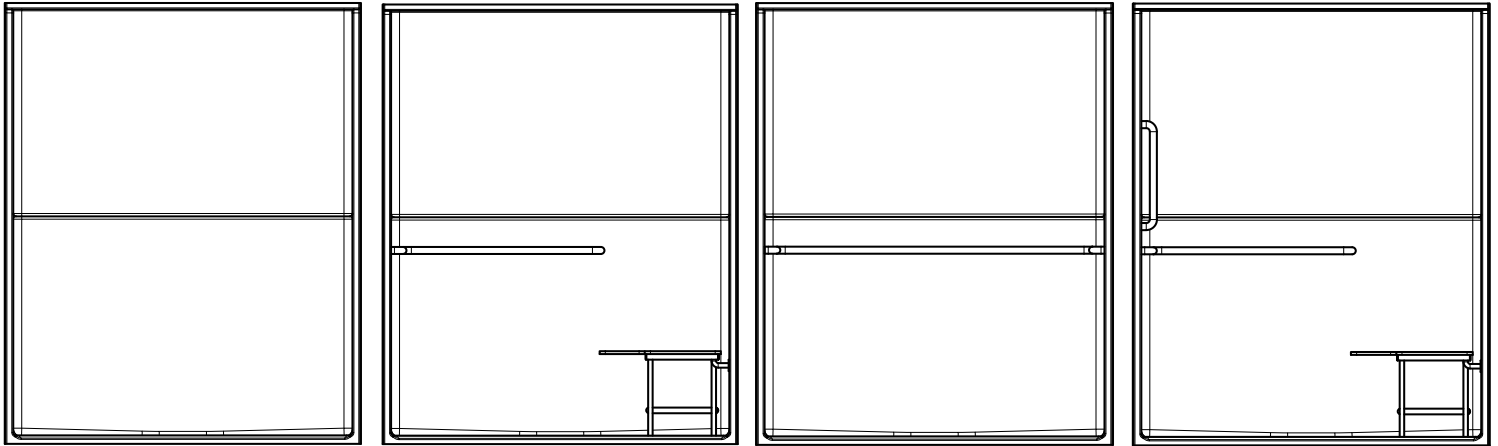


Architectural Specifications

A. Shower Stall:

1. Model: No. SS6338A-L/R
2. Description: One-piece shower stall with reinforcing bottom plate, slip-resistant floor, shelf, and inorganic composite reinforcement for placement of grab bars and seat
3. Exterior dimensions: 63 inches wide x 38 inches deep x 78-1/2 inches high
4. Rough-in: +1/8" -0" nominal dimensions
5. Threshold: [Standard] [Low Profile] [No-Recess] Threshold Detail
6. Accessibility Accessories: [A0] [A1] [A2] [A3] [Custom] accessory configuration
7. Optional Accessories: Furnish with [curtain rod], [shower curtain], [recessed soap dish], [composite corner shelf], [shower slide-bar kit], [EverFab tub-wrap], [shower drain], [18" grab bar], [24" grab bar], [folding seat], [T-shaped EverDam]. If applicable, please indicate location of additional accessories on drawing
8. Accessory Style: [A0 - No Accessories], [Standard Thru-Bolted], [Flanged], [Elite Series], [Anti-Ligature], [Custom]
9. Accessory Finish: [A0 - No Accessories], [Standard Satin Stainless], [Matte Black], [Polished Stainless] [White], [Custom]

ADA Accessory Configurations (number following 'A' indicates configuration)



SS6338A0

No Accessories

SS6338A1-R

L-shaped grab bar
Seat

SS6338A2

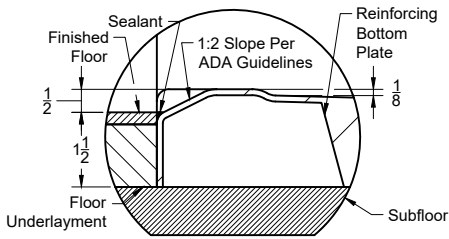
U-shaped grab bar

SS6338A3-R

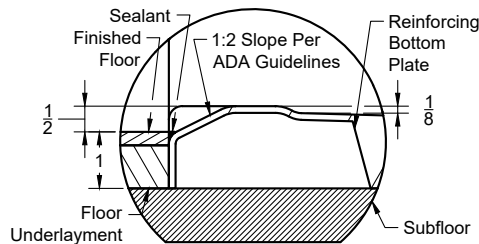
L-shaped grab bar
Seat

18" vertical grab bar

Threshold Details

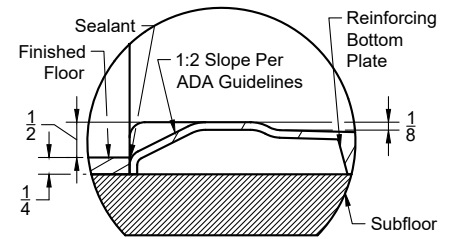


Standard



Low-Profile

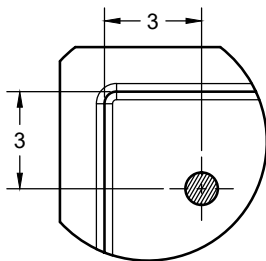
Model number followed with 'LP'



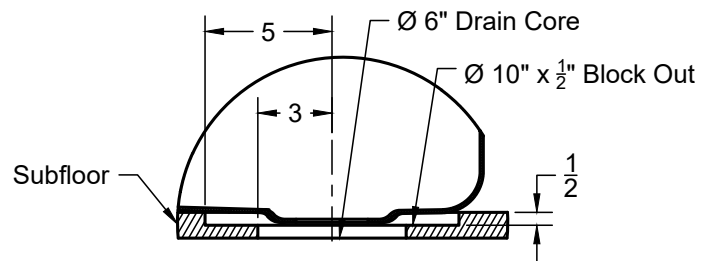
No-Recess

Model number followed with 'NR'

Additional Details



Standard Curtain Rod Location



Drain Block-Out

Standard Threshold Models

Model Number	Pre-Installed L-Shaped Grab Bar	Pre-Installed 18" Vertical Grab Bar	Pre-Installed U-Shaped Grab Bar	Pre-Installed Folding Seat	Drain Block Out Required	Accessibility Code Compliance
<input type="checkbox"/> SS6338A0	No	No	No	No	No	Adaptable**
<input type="checkbox"/> SS6338A1	Yes	No	No	Yes	No	ADA, CA Title 24, WAC, HUD/FHA
<input type="checkbox"/> SS6338A2	No	No	Yes	No	No	ADA, CA Title 24, WAC, HUD/FHA
<input type="checkbox"/> SS6338A3	Yes	Yes	No	Yes	No	ADA, CA Title 24, WAC, HUD/FHA, ANSI

Low Profile Threshold Models

Model Number	Pre-Installed L-Shaped Grab Bar	Pre-Installed 18" Vertical Grab Bar	Pre-Installed U-Shaped Grab Bar	Pre-Installed Folding Seat	Drain Block Out Required	Accessibility Code Compliance
<input type="checkbox"/> SS6338A0LP	No	No	No	No	Yes	Adaptable**
<input type="checkbox"/> SS6338A1LP	Yes	No	No	Yes	Yes	ADA, CA Title 24, WAC, HUD/FHA
<input type="checkbox"/> SS6338A2LP	No	No	Yes	No	Yes	ADA, CA Title 24, WAC, HUD/FHA
<input type="checkbox"/> SS6338A3LP	Yes	Yes	No	Yes	Yes	ADA, CA Title 24, WAC, HUD/FHA, ANSI

No-Reces Threshold Models

Model Number	Pre-Installed L-Shaped Grab Bar	Pre-Installed 18" Vertical Grab Bar	Pre-Installed U-Shaped Grab Bar	Pre-Installed Folding Seat	Drain Block Out Required	Accessibility Code Compliance
<input type="checkbox"/> SS6338A0NR	No	No	No	No	Yes	Adaptable**
<input type="checkbox"/> SS6338A1NR	Yes	No	No	Yes	Yes	ADA, CA Title 24, WAC, HUD/FHA
<input type="checkbox"/> SS6338A2NR	No	No	Yes	No	Yes	ADA, CA Title 24, WAC, HUD/FHA
<input type="checkbox"/> SS6338A3NR	Yes	Yes	No	Yes	Yes	ADA, CA Title 24, WAC, HUD/FHA, ANSI

**Model is reinforced and capable of meeting accessibility code requirements with proper field-installation of grab bars and seat

Seat Placement (indicated by '-L' or '-R' following model number)*

- Left Hand Right Hand

*Seat placement is determined as if outside the unit looking in. For clarity, a right hand model is shown in all drawings

Optional Accessories†

- | | |
|---|---|
| <input type="checkbox"/> Curtain Rod | <input type="checkbox"/> Shower Drain |
| <input type="checkbox"/> Shower Curtain | <input type="checkbox"/> 18" grab bar |
| <input type="checkbox"/> Recessed Soap Dish | <input type="checkbox"/> 24" grab bar |
| <input type="checkbox"/> Composite Corner Shelf | <input type="checkbox"/> Folding seat |
| <input type="checkbox"/> Shower Slide-Bar Kit | <input type="checkbox"/> T-shaped EverDam |
| <input type="checkbox"/> EverFab Tub-Wrap | |

Accessory Style

- Thu-bolted (Standard)
 Flanged
 Elite Series
 Anti-ligature
 Custom, please specify:

Accessory Finish

- Satin Stainless (Standard)
 Matte Black
 Polished Stainless
 White
 Custom, please specify:

†If applicable, please select accessory style and finish from options above. If custom, please also indicate desired location(s) on drawing.