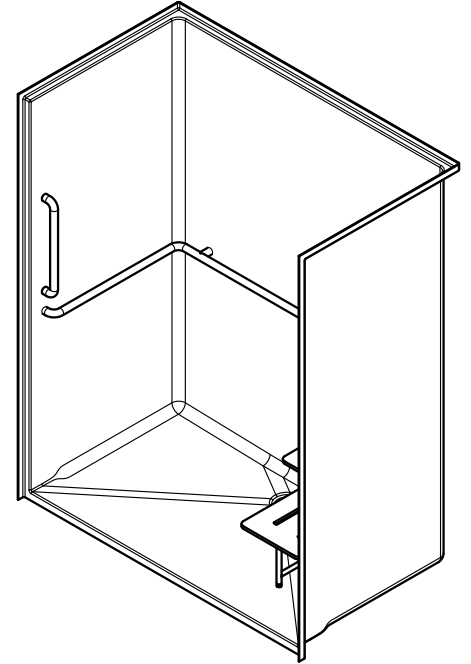


Project Name		Customer Name	
Quote Number		Date	
Customization			

### Standard Features

<b>Type</b>	One-piece roll-in type shower stall. Available in left or right hand configuration.
<b>Color</b>	White
<b>Exterior Dimensions</b>	63"W x 39"D x 79-5/8"H
<b>Materials</b>	Gel coat and fiberglass composite
<b>Approximate Weight</b>	155 lbs



### Certifications and Accessibility Code Compliance



Universal Plumbing Code



CSA B45.5-11 / IAPMO Z124-2017



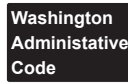
ADA

ANSI

ICC A117.1 - 2017 ANSI Type A



California Title 24



WAC 388-78A-3030



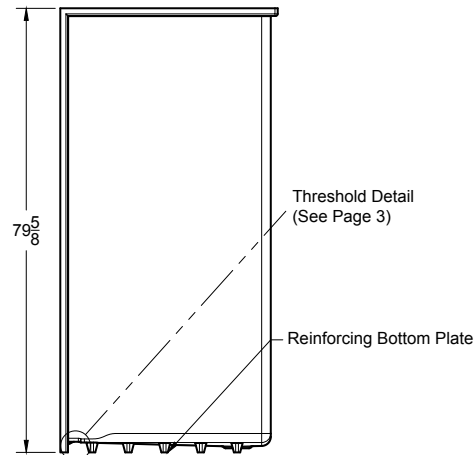
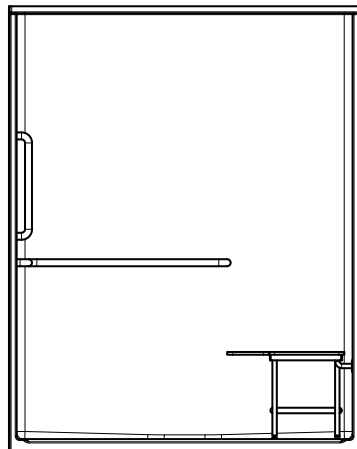
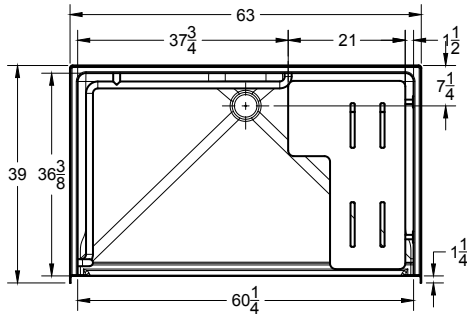
HUD / FHA

### Warranty

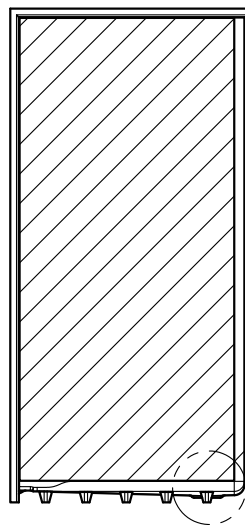
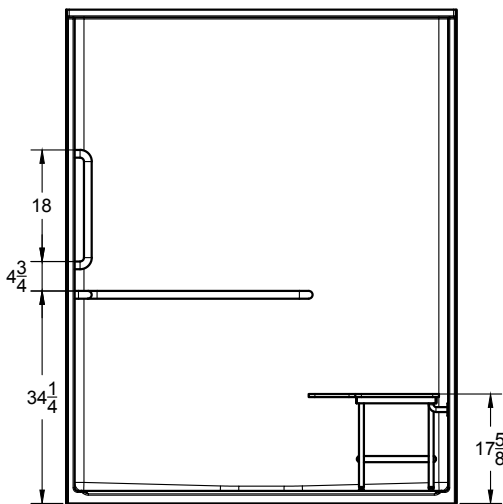
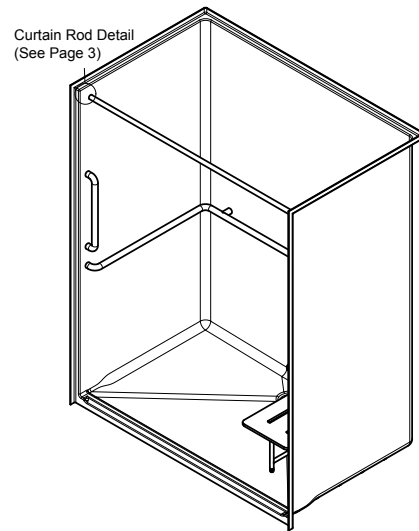
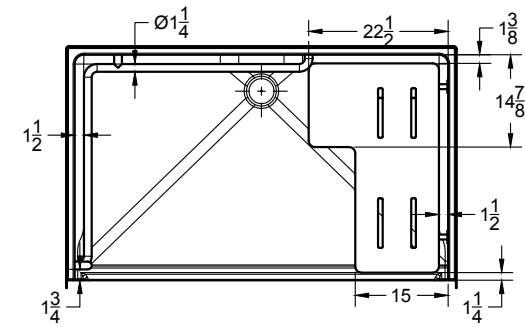
30 Year Limited

### Reinforcement

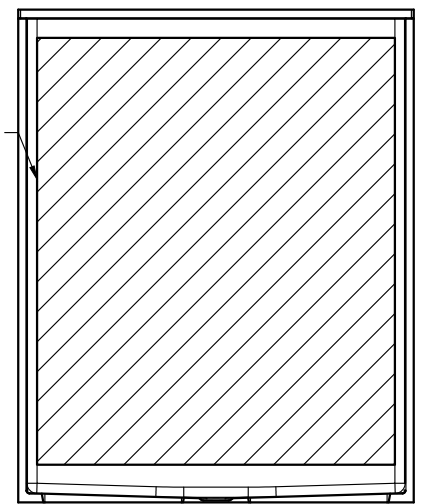
Fully reinforced with EverFab's unique composite core material which allows for factory or field installation of ADA compliant grab bars and seat



## ADA Accessory Dimensions



Fully Reinforced with EverFab Core Material for factory or field installation of grab bars and seat

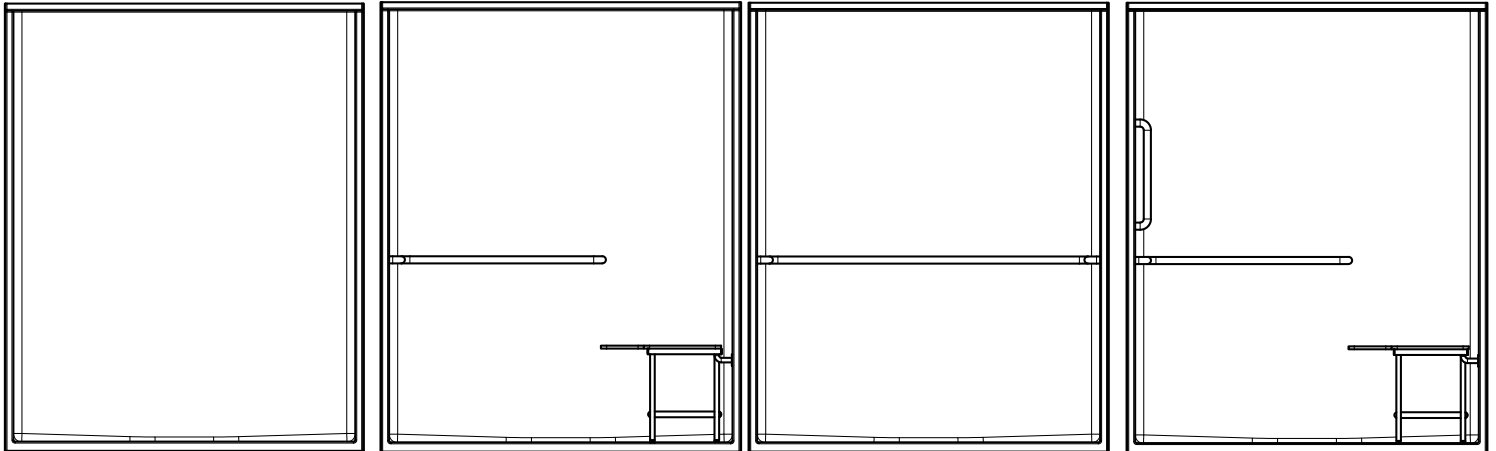


## Architectural Specifications

### A. Shower Stall:

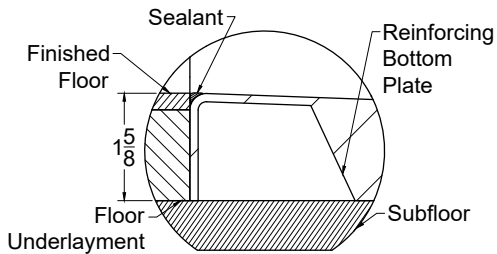
1. Model: No. S6339A-L/R
2. Description: One-piece shower stall with reinforcing bottom plate, slip-resistant floor, and inorganic composite reinforcement for placement of grab bars and seat
3. Exterior dimensions: 63 inches wide x 36 inches deep x 79-5/8 inches high
4. Rough-in: +1/8" -0" nominal dimensions
5. Threshold: [Standard] [Low Profile] [No-Recess] Threshold Detail
6. Accessibility Accessories: [A0] [A1] [A2] [A3] [Custom] accessory configuration
7. Optional Accessories: Furnish with [curtain rod], [shower curtain], [recessed soap dish], [composite corner shelf], [shower slide-bar kit], [EverFab tub-wrap], [shower drain], [18" grab bar], [24" grab bar], [custom grab bar], [folding seat], [T-shaped EverDam]. If applicable, please indicate location of additional accessories on drawing
8. Accessory Style: [A0 - No Accessories], [Standard Thru-Bolted], [Flanged], [Elite Series], [Anti-Ligature], [Custom]
9. Accessory Finish: [A0 - No Accessories], [Standard Satin Stainless], [Matte Black], [Polished Stainless] [White], [Custom]

**ADA Accessory Configurations (number following 'A' indicates configuration)**

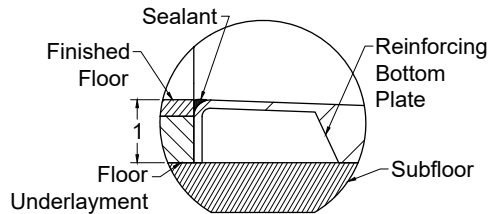


<b>S6339A0</b>	<b>S6339A1-R</b>	<b>S6339A2</b>	<b>S6339A3-R</b>
No Accessories	L-shaped grab bar Seat	U-shaped grab bar	L-shaped grab bar Seat 18" vertical grab bar

**Threshold Details**

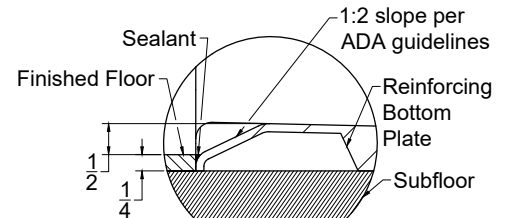


**Standard**



**Low-Profile**

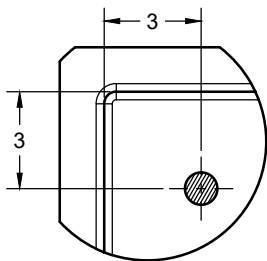
*Model number followed with 'LP'*



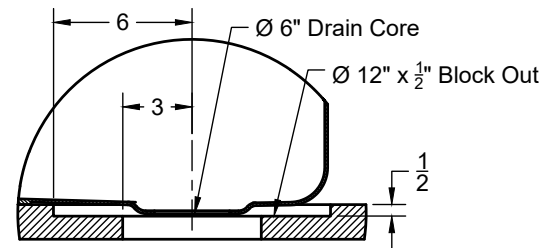
**No-Recess**

*Model number followed with 'NR'*

**Additional Details**



**Standard Curtain Rod Location**



**Drain Block-Out**

### Standard Threshold Models

Model Number	Pre-Installed L-Shaped Grab Bar	Pre-Installed 18" Vertical Grab Bar	Pre-Installed U-Shaped Grab Bar	Pre-Installed Folding Seat	Drain Block Out Required	Accessibility Code Compliance
<input type="checkbox"/> S6339A0	No	No	No	No	No	Adaptable**
<input type="checkbox"/> S6339A1	Yes	No	No	Yes	No	ADA, CA Title 24, WAC, HUD/FHA
<input type="checkbox"/> S6339A2	No	No	Yes	No	No	ADA, CA Title 24, WAC, HUD/FHA
<input type="checkbox"/> S6339A3	Yes	Yes	No	Yes	No	ADA, CA Title 24, WAC, ANSI, HUD/FHA

### Low Profile Threshold Models

Model Number	Pre-Installed L-Shaped Grab Bar	Pre-Installed 18" Vertical Grab Bar	Pre-Installed U-Shaped Grab Bar	Pre-Installed Folding Seat	Drain Block Out Required	Accessibility Code Compliance
<input type="checkbox"/> S6339A0LP	No	No	No	No	Yes	Adaptable**
<input type="checkbox"/> S6339A1LP	Yes	No	No	Yes	Yes	ADA, CA Title 24, WAC, HUD/FHA
<input type="checkbox"/> S6339A2LP	No	No	Yes	No	Yes	ADA, CA Title 24, WAC, HUD/FHA
<input type="checkbox"/> S6339A3LP	Yes	Yes	No	Yes	Yes	ADA, CA Title 24, WAC, ANSI, HUD/FHA

### No-Recess Threshold Models

Model Number	Pre-Installed L-Shaped Grab Bar	Pre-Installed 18" Vertical Grab Bar	Pre-Installed U-Shaped Grab Bar	Pre-Installed Folding Seat	Drain Block Out Required	Accessibility Code Compliance
<input type="checkbox"/> S6339A0NR	No	No	No	No	Yes	Adaptable**
<input type="checkbox"/> S6339A1NR	Yes	No	No	Yes	Yes	ADA, CA Title 24, WAC, HUD/FHA
<input type="checkbox"/> S6339A2NR	No	No	Yes	No	Yes	ADA, CA Title 24, WAC, HUD/FHA
<input type="checkbox"/> S6339A3NR	Yes	Yes	No	Yes	Yes	ADA, CA Title 24, WAC, ANSI, HUD/FHA

\*\*Model is reinforced and capable of meeting accessibility code requirements with proper field-installation of grab bars and seat

### Seat Placement (indicated by '-L' or '-R' following model number if applicable)\*

- Left Hand  Right Hand

\*Seat placement is determined as if outside the unit looking in. For clarity, a right hand model is shown in all drawings.

### Optional Accessories†

- |   |   |
|---|---|
| <input type="checkbox"/> Curtain Rod            | <input type="checkbox"/> Shower Drain                     |
| <input type="checkbox"/> Shower Curtain         | <input type="checkbox"/> 18" grab bar                     |
| <input type="checkbox"/> Recessed Soap Dish     | <input type="checkbox"/> 24" grab bar                     |
| <input type="checkbox"/> Composite Corner Shelf | <input type="checkbox"/> Custom grab bar, please specify: |
| <input type="checkbox"/> Shower Slide-Bar Kit   | <input type="checkbox"/> Folding seat                     |
| <input type="checkbox"/> EverFab Tub-Wrap       | <input type="checkbox"/> T-Shaped EverDam                 |

### Accessory Style

- Thu-bolted (Standard)  
 Flanged  
 Elite Series  
 Anti-ligature  
 Custom, please specify:

### Accessory Finish

- Satin Stainless (Standard)  
 Matte Black  
 Polished Stainless  
 White  
 Custom, please specify:

†If applicable, please select accessory style and finish from options above. If custom, please also indicate desired location(s) on drawing.