

Project Name		Customer Name	
Quote Number		Date	
Customization			

Standard Features

Type	One-piece transfer type shower stall. Available in left or right hand configuration.
Color	White
Exterior Dimensions	38"W x 38-1/2"D x 80-3/4"H
Materials	Gel coat and fiberglass composite
Approximate Weight	120 lbs

Certifications and Accessibility Code Compliance



Universal
Plumbing
Code



CSA B45.5-11 / IAPMO
Z124-2017



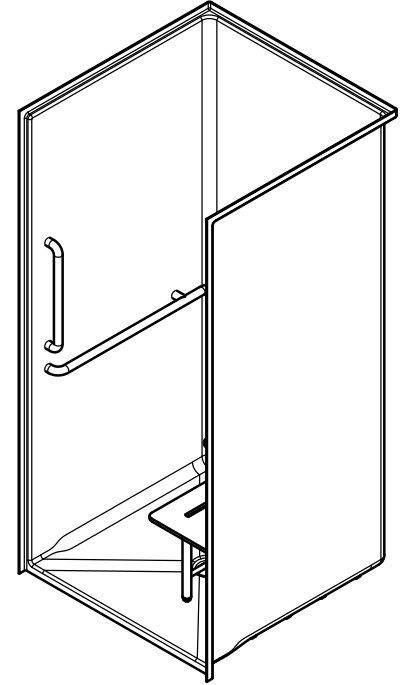
ADA

ANSI

ICC A117.1
- 2017 ANSI
Type A



HUD / FHA

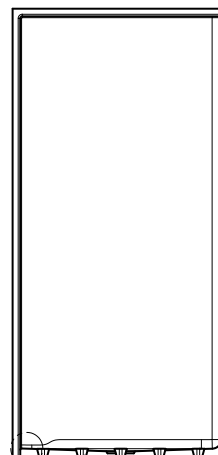
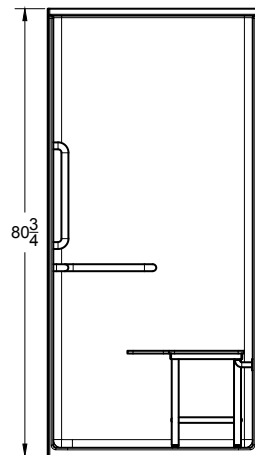
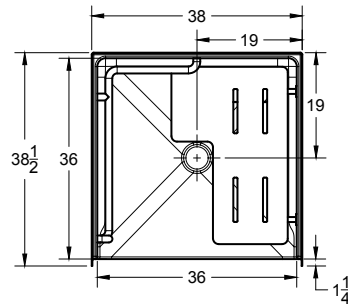


Warranty

30 Year Limited

Reinforcement

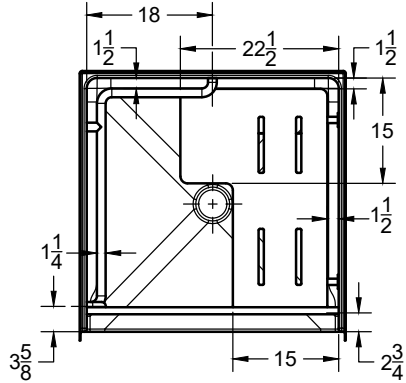
Fully reinforced with EverFab's unique composite core material which allows for factory or field installation of ADA compliant grab bars and seat



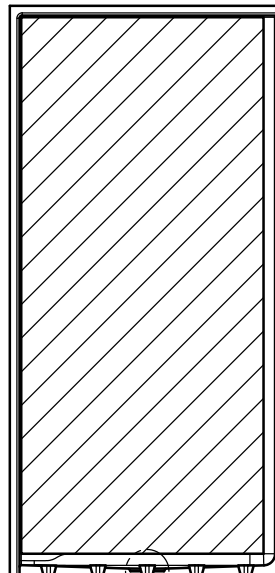
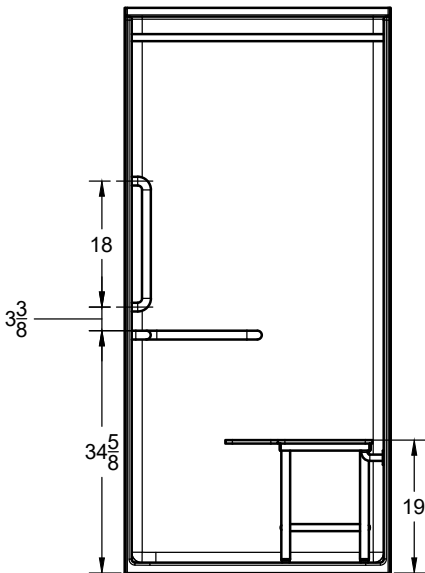
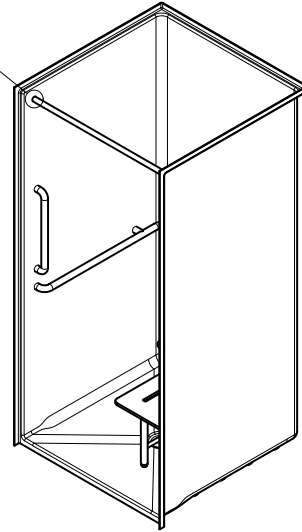
Threshold Detail (See Page 2)

Reinforcing Bottom Plate

ADA Accessory Dimensions

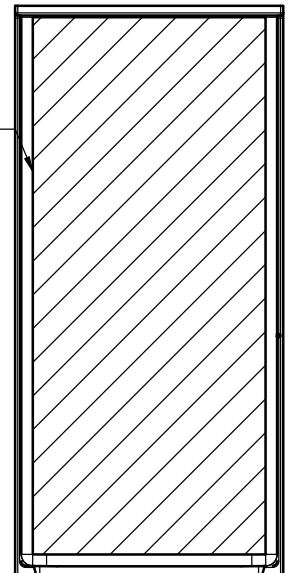


Curtain Rod Detail
(See Submittal
Sheet Page 3)



Drain Block Out Detail
(See Submittal Page 3)

Fully reinforced
with EverFab
core material for
factory or field
installation of
grab bars and
seat

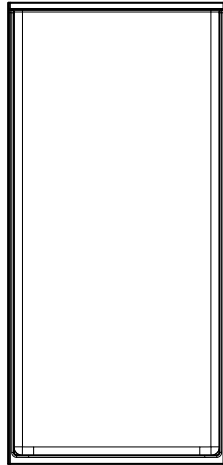


Architectural Specifications

A. Shower Stall:

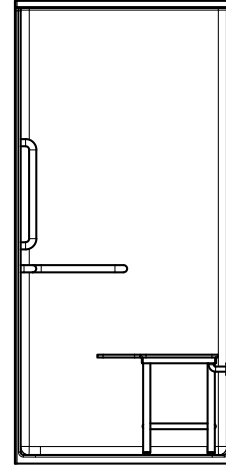
1. Model: No. S3839A-L/R
2. Description: One-piece shower stall with reinforcing bottom plate, slip-resistant floor, and inorganic composite reinforcement for placement of grab bars and seat
3. Exterior dimensions: 38 inches wide x 38-1/2 inches deep x 80-3/4 inches high
4. Rough-in: +1/8" -0" nominal dimensions
5. Threshold: [Standard] [Low Profile] Threshold Detail
6. Accessibility Accessories: [A0] [A1] [Custom] accessory configuration
7. Optional Accessories: Furnish with [curtain rod], [shower curtain], [recessed soap dish], [composite corner shelf], [shower slide-bar kit], [EverFab tub-wrap], [shower drain], [18" grab bar], [24" grab bar], [folding seat], [T-shaped EverDam]. If applicable, please indicate location of additional accessories on drawing
8. Accessory Style: [A0 - No Accessories], [Standard Thru-Bolted], [Flanged], [Elite Series], [Anti-Ligature], [Custom]
9. Accessory Finish: [A0 - No Accessories], [Standard Satin Stainless], [Matte Black], [Polished Stainless] [White], [Custom]

ADA Accessory Configurations (number following 'A' indicates configuration)



S3839A0

No Accessories



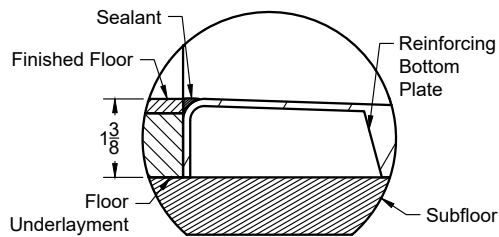
S3839A1-R

L-shaped grab bar

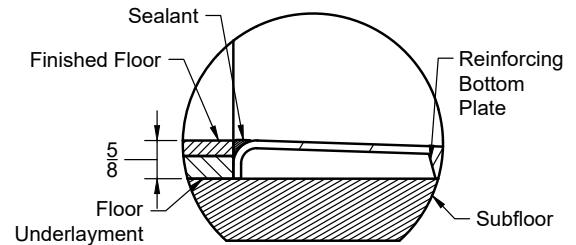
Seat

18" vertical grab bar

Threshold Details



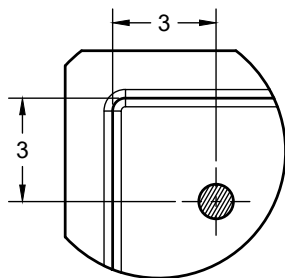
Standard



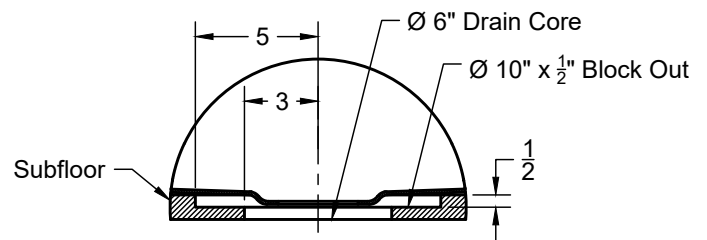
Low-Profile

Model number followed with 'LP'

Additional Details



Standard Curtain Rod Location



Drain Block-Out

Standard Threshold Models

Model Number	Pre-Installed 1-1/4" L-Shaped Grab Bar	Pre-Installed 1-1/4" Vertical Grab Bar	Pre-Installed Folding Seat	Drain Block Out Required	Accessibility Code Compliance
<input type="checkbox"/> S3839A0	No	No	No	No	Adaptable**
<input type="checkbox"/> S3839A1	Yes	Yes	Yes	No	ADA, ANSI, HUD/FHA

Low Profile Threshold Models

Model Number	Pre-Installed 1-1/4" L-Shaped Grab Bar	Pre-Installed 1-1/4" Vertical Grab Bar	Pre-Installed Folding Seat	Drain Block Out Required	Accessibility Code Compliance
<input type="checkbox"/> S3839A0LP	No	No	No	Yes	Adaptable**
<input type="checkbox"/> S3839A1LP	Yes	Yes	Yes	Yes	ADA, ANSI, HUD/FHA

***Model is reinforced and capable of meeting accessibility code requirements with proper field-installation of grab bars and seat*

Seat Placement (indicated by '-L' or '-R' following model number)*

- Left Hand Right Hand

**Seat placement is determined as if outside the unit looking in. For clarity, a right hand model is shown in all drawings.*

Optional Accessories†

- | | |
|---|---|
| <input type="checkbox"/> Curtain Rod | <input type="checkbox"/> Shower Drain |
| <input type="checkbox"/> Shower Curtain | <input type="checkbox"/> 18" grab bar |
| <input type="checkbox"/> Recessed Soap Dish | <input type="checkbox"/> 24" grab bar |
| <input type="checkbox"/> Composite Corner Shelf | <input type="checkbox"/> Custom grab bar, please specify: |
| <input type="checkbox"/> Shower Slide-Bar Kit | <input type="checkbox"/> Folding seat |
| <input type="checkbox"/> EverFab Tub-Wrap | <input type="checkbox"/> T-Shaped EverDam |

Accessory Style

- Thu-bolted (Standard)
 Flanged
 Elite Series
 Anti-ligature
 Custom, please specify:

Accessory Finish

- Satin Stainless (Standard)
 Matte Black
 Polished Stainless
 White
 Custom, please specify:

†If applicable, please select accessory style and finish from options above. If custom, please also indicate desired location(s) on drawing.