

Project Name:		Customer:		Date:	
Quote Number:		Model Number:		Drain Placement†:	
Customization Requested:					

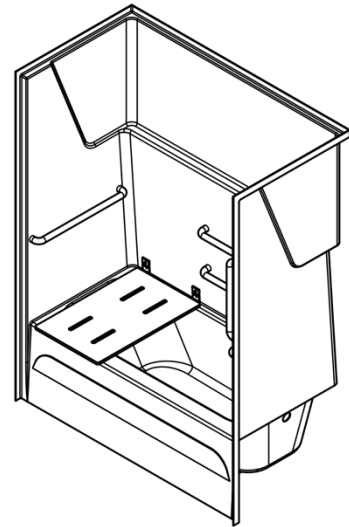
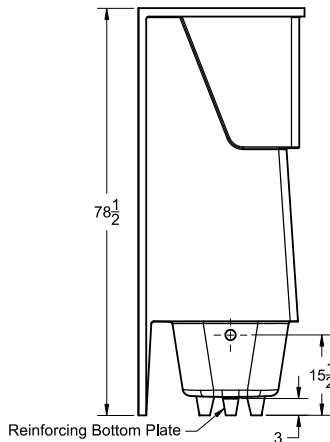
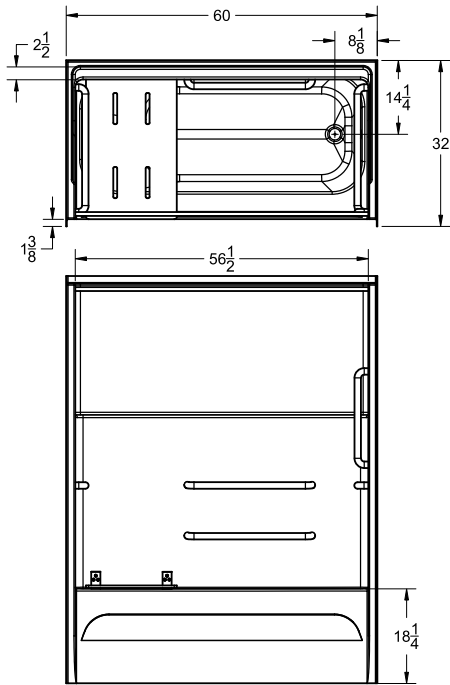
†Specify right or left drain placement as determined from looking outside into the unit

### Standard Features and Measurements

- One-piece tub/shower stall with reinforcing bottom plate
- Anti-slip floor
- Reinforced with core material to add bars and folding seat pre or post installation of unit
- Meets ADA, ANSI, and California Title 24 requirements when installed correctly
- 39-gallon tub capacity

<b>Color:</b>	White
<b>Ext. Dimensions:</b>	60"W x 32"D x 78 1/2"H
<b>Warranty:</b>	10 Year Limited Warranty
<b>Material:</b>	Gelcoat/Fiberglass
<b>Approximate Weight:</b>	130 lbs.

Meets CSA B45.5-11/ IAPMO Z124-2017 Standards for Plastic Plumbing Fixtures



### Available Configurations



Model Number	Pre-Installed 1-1/4" Grab Bars (Qty. 4)	Pre-Installed 1-1/4" Vertical Grab Bar	Pre-Installed Folding Seat	Accessibility Code Compliance
TSS6032A0	No	No	No	Adaptable**
TSS6032A1*	Yes	Yes	Yes	ADA, ANSI, CA Title 24

\*Shown in drawing

\*\*Model is reinforced and capable of meeting ADA and ANSI requirements with proper field-installation of grab bars and seat

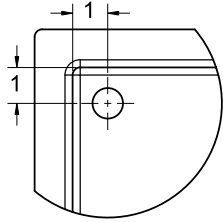
_____	__/__/__	_____	__/__/__
Architect	Date	Engineer	Date
_____	__/__/__	_____	__/__/__
General Contractor	Date	Plumbing Contractor	Date

Please email or fax a signed submittal sheet to the EverFab office to purchase.

Email: [info@everfabath.com](mailto:info@everfabath.com) | Fax: 503.743.8153 | Phone: 503.303.3300 | [www.everfabath.com](http://www.everfabath.com) | PO Box 490, Aumsville, OR 97325

Due to the nature of the material all measurements may vary by ± 3/8". Dimensions needed for site preparation should be measured from the unit.

## Additional Information



**Curtain Rod Detail**

